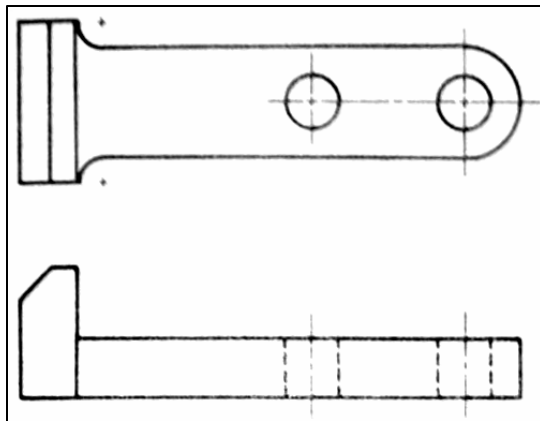
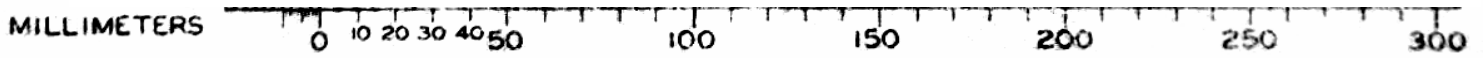


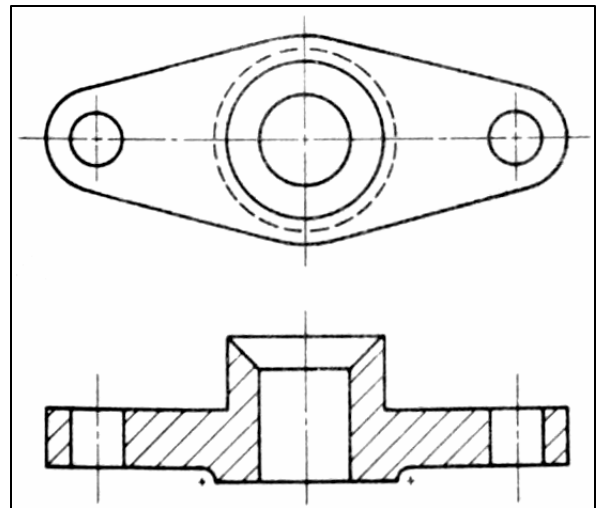
Assignment #5: Drawings are due on March 27, 2006.

Use drawing template sheets. Fill in the title block... the part is "ASSIGNMENT 5".

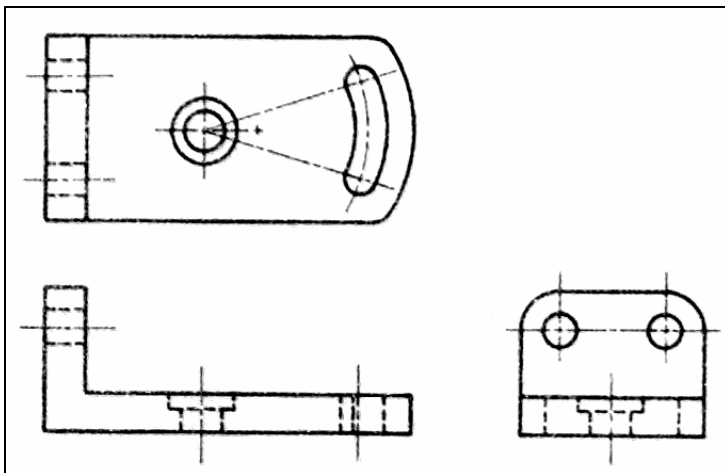
1. Measure each dimension of each drawing *using the scale provided*. Then, redraw (copy) each drawing using instruments. Finally, add all appropriate dimensions to the drawing.



Problem 1



Problem 2



Problem 3