

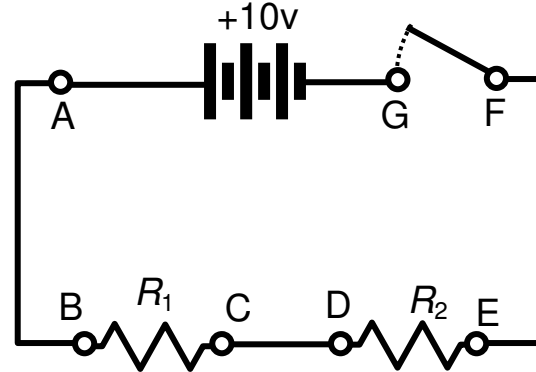
Analytical Physics Lab, Worksheet #4: DC Circuits & Kirchhoff's Laws

Name: _____

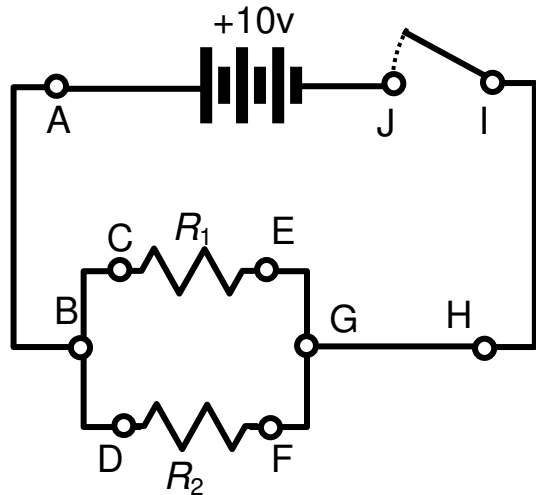
Date: _____

Partner: _____

II. Voltage Measurements		I. Current Measurements	
$V_A - V_G$	V	I_C	mA
$V_A - V_B$	V	I_E	mA
$V_B - V_C$	V	I_G	mA
$V_C - V_D$	V	I_A	mA
$V_D - V_E$	V		
$V_E - V_F$	V	R_1	Ω
$V_F - V_G$	V	R_2	Ω
$V_G - V_A$	V		
$V_B - V_E$	V		



IV. Voltage Measurements		III. Current Measurements	
$V_A - V_J$	V	I_H	mA
$V_C - V_E$	V	I_E	mA
$V_D - V_F$	V	I_F	mA
$V_A - V_B$	V	I_A	mA
$V_E - V_J$	V		
$V_J - V_A$	V	R_1	Ω
		R_2	Ω



V. Voltage Measurements		V. Current Measurements	
$V_A - V_K$	V	I_I	mA
$V_C - V_E$	V	I_E	mA
$V_D - V_F$	V	I_F	mA
$V_H - V_I$	V	I_A	mA
$V_B - V_I$	V		
$V_K - V_A$	V	R_1	Ω
		R_2	Ω
		R_3	Ω

