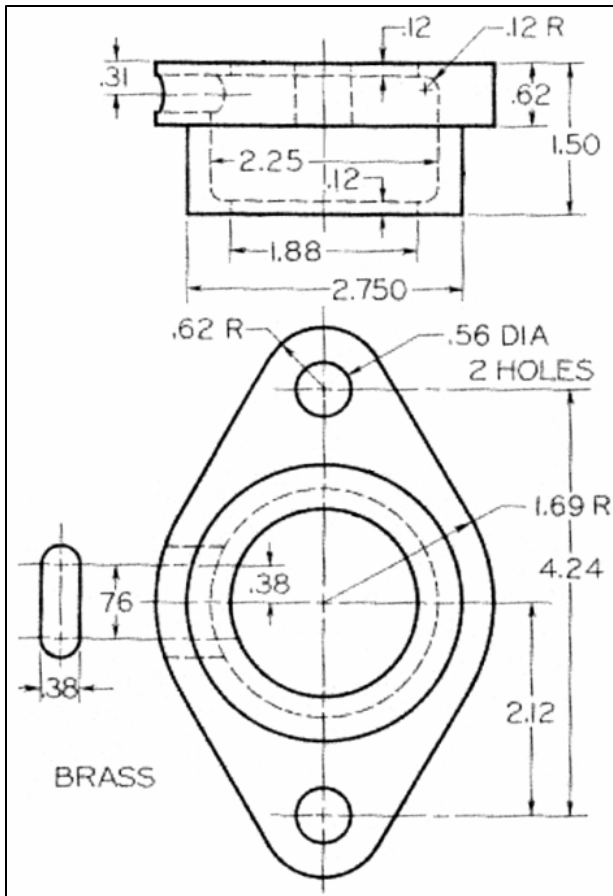


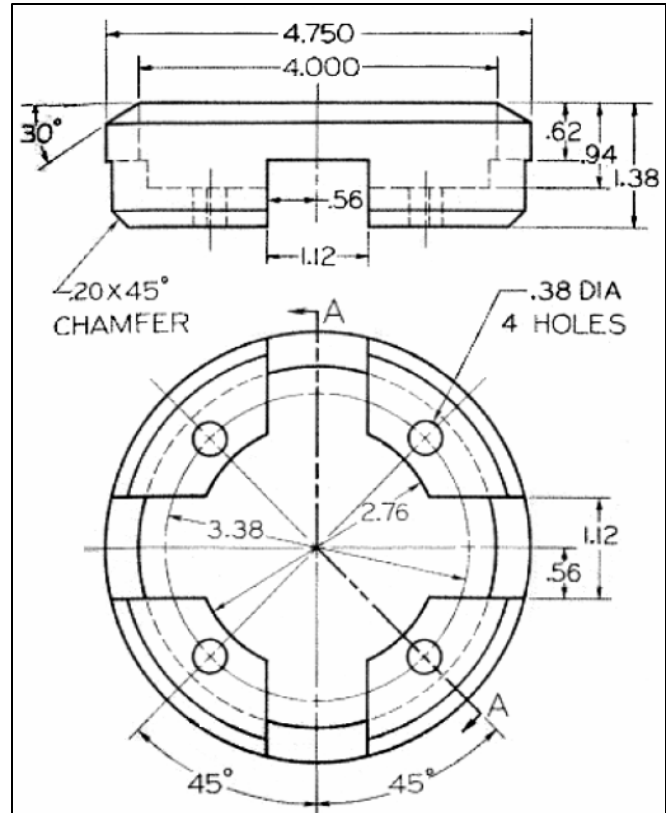
**Assignment #4:** Drawings are due on March 6, 2006.

Use drawing template sheets. Fill in the title block... the part is "ASSIGNMENT 4".

1. You are given a front and top view. Additionally, you are shown a little bit of the left side view... the shape of the hole. Redraw the front and top views. Then, on the right, add a full section passing through the plane containing the two 0.56 DIA holes.
2. You are given a front and top view. Redraw the front and top views. Then, at the correct position, draw the full section A-A.



**Problem 1**



**Problem 2**