

## Pogo's Hardware Prototype for Assignment #6

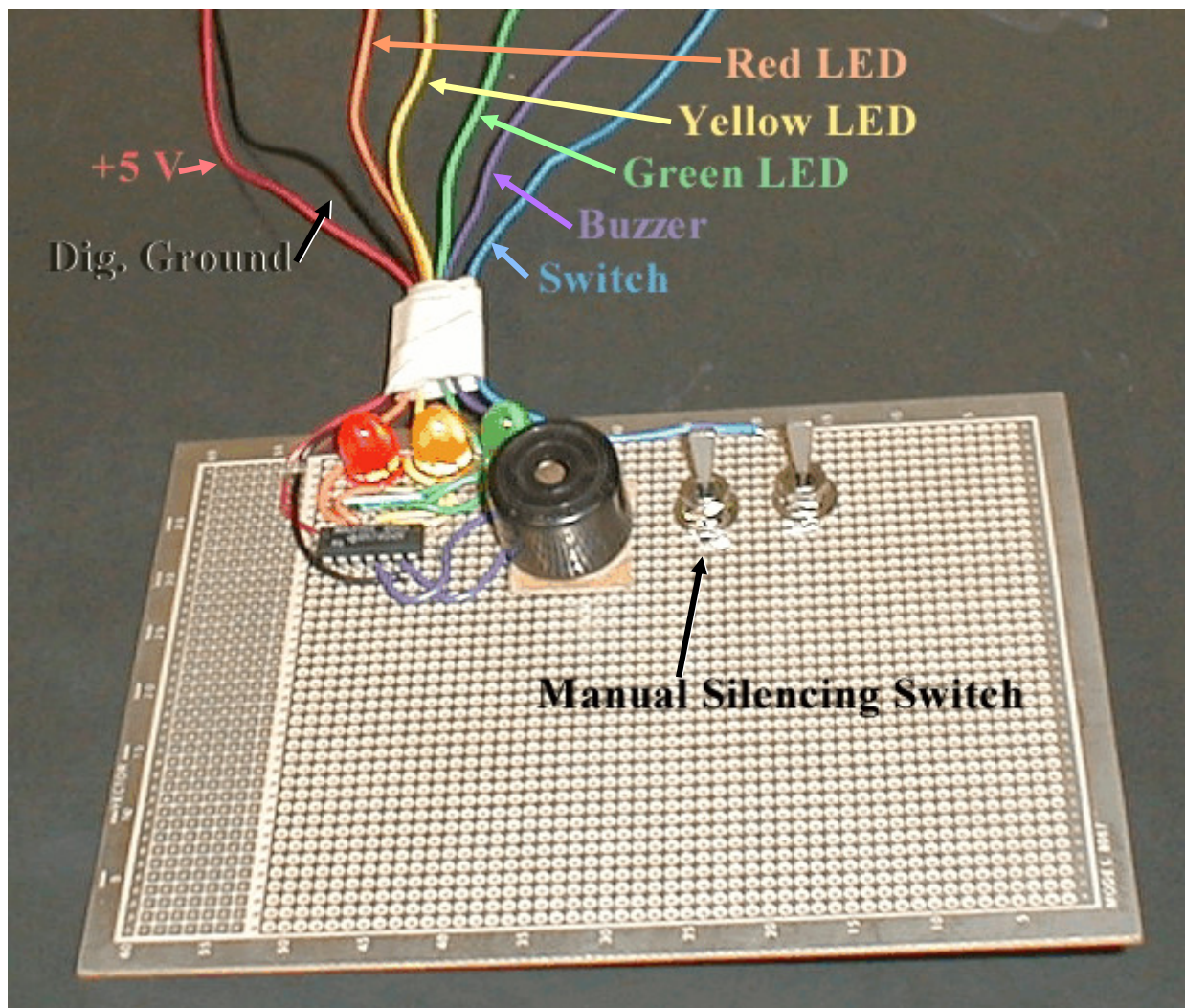
**Power to this board:** red, black

**Inputs to this board:** orange, yellow, green, purple

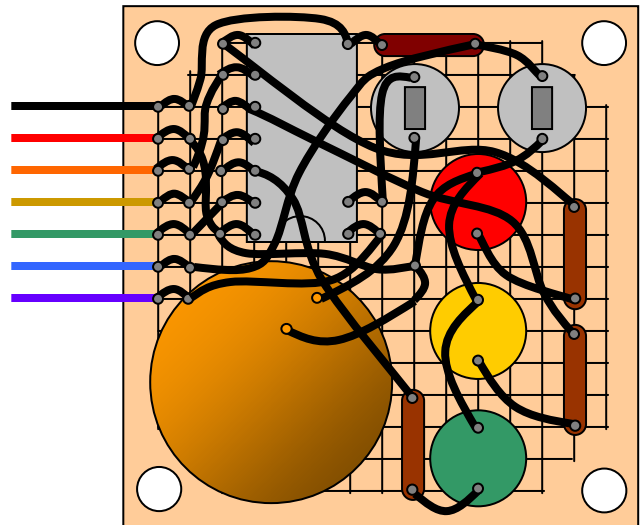
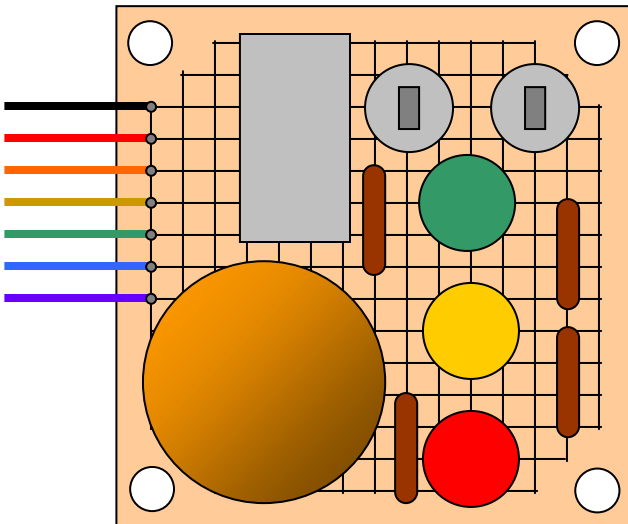
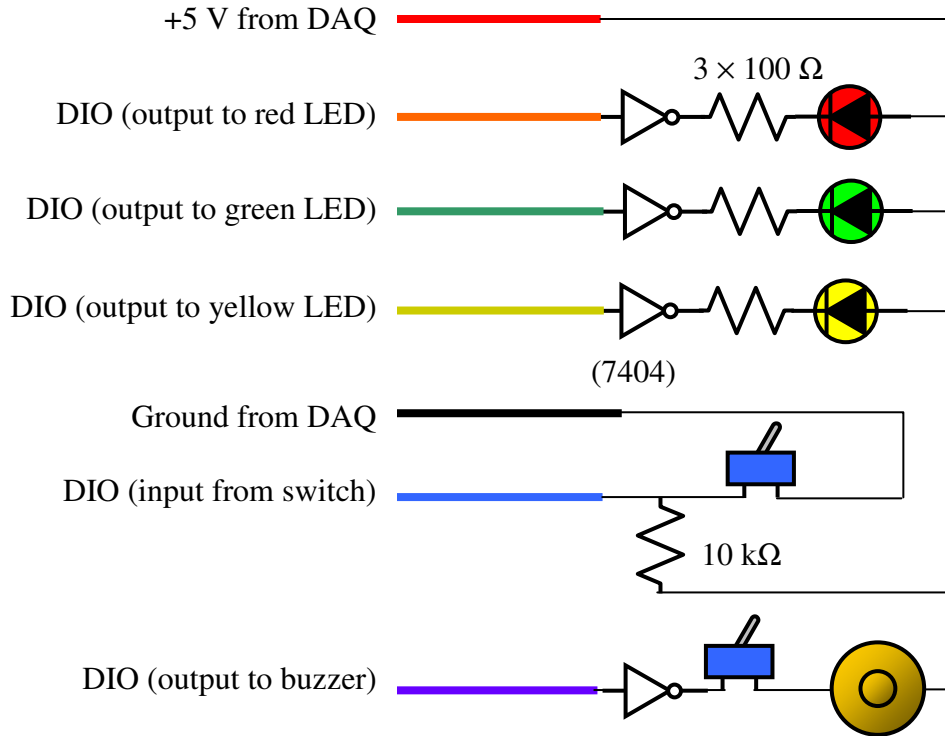
**Outputs from this board:** blue

The Manual Silencing Switch (MSS) prevents the buzzer from sounding, but can neither send nor receive information from LabVIEW. It is intended for use only while debugging your VI, and it will not be affected by your LabVIEW program in any way.

The 7 wires for this board could easily be broken by careless handling.



# Pogo's Hardware Prototype Wiring Schematic



Wires/soldering must actually be located on the back side.

This version is for a buzzer that requires a separate oscillator.

