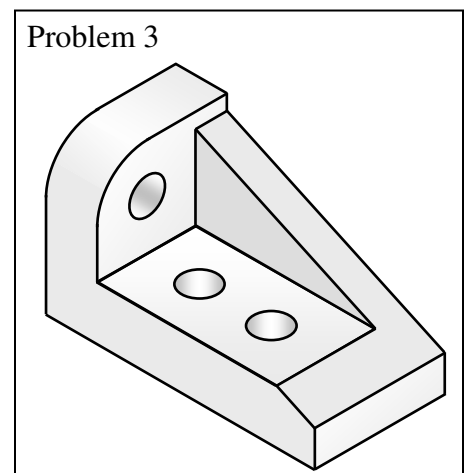
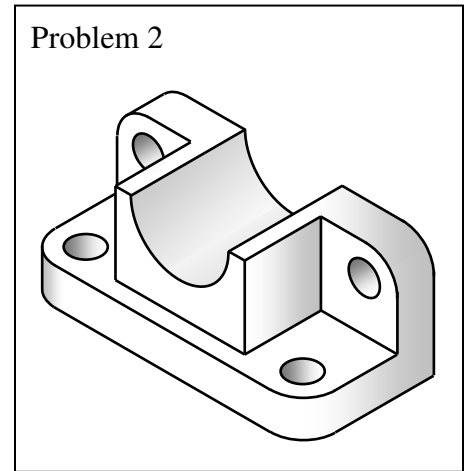


Assignment #3: Three-View Machinist’s Drawings

Due on February 17, 2023.

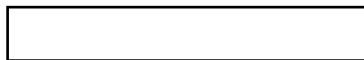
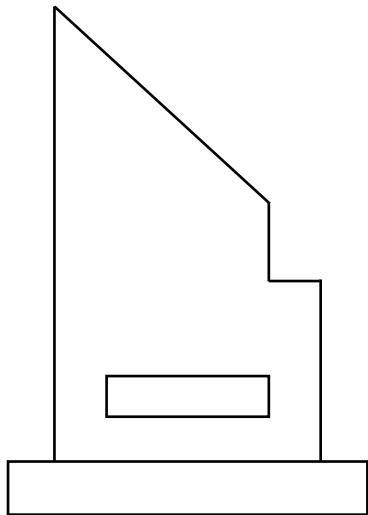
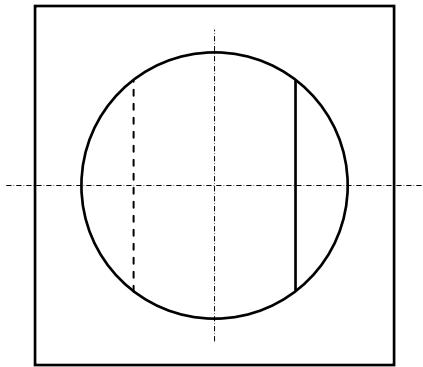
1. Print the attached sheet. Add your name in the “drawn by” block. Complete the 3rd view. You don’t need to add dimensions. Optional: try to add the full-scale isometric drawing!
2. Print a blank drawing template. Make a 3-view drawing for the object shown here. You will need to make measurements from this page. You do not need to add dimensions for the machinist. Your grade will be affected by decisions you make about the spacing between the three views.
3. Print a blank drawing template. Make a 3-view drawing for the object shown here. *Add the dimensions* that would be needed by a machinist, assuming that the longest edge of the manufactured piece is 4 inches long. Spacing matters.
4. Bring your laptop to class on February 17. **Before coming**, open up either PowerPoint or Word (or preferably both), and customize your “quick-access” toolbar (start by right-clicking on the ribbon). Make sure that it includes **at least** all of the following commands:

• Grid Settings	• Curve (Word only)
• Edit Points	• Shape Styles
• Group	• Shape Fill
• Ungroup	• Shape Outline (or Ink Color?)
• Bring to Front	• Thickness
• Bring Forward	• Dashes
• Send to Back	• Arrows
• Send Backward	• Flip Horizontal (ppt only)
• Wrap Text (Word only)	• Flip Vertical (ppt only)
• Text Box	• Rotate Objects
• Shapes	• Rotate Right 90° (ppt only)
• Rectangle	• Align Objects
• Oval	• Combine Shapes (ppt only)
• Straight Connector	• Subtract Shapes (ppt only)
• Arc	• Merge Shapes (ppt only)
• Freeform (Word only)	



- Then:
- “Customize the Ribbon” again, and click on the option box Show Quick Access Toolbar below the Ribbon to show this toolbar *below* the ribbon.
 - Click on the Grid settings button you just created. Uncheck “Snap objects to Grid”, “Display grid on screen”, and “Display drawing guides on screen”.





PART: Problem 1	
PROJECT: Assignment #3	
MAT'L:	REV:
DR. BY:	
DATE:	SCALE: